

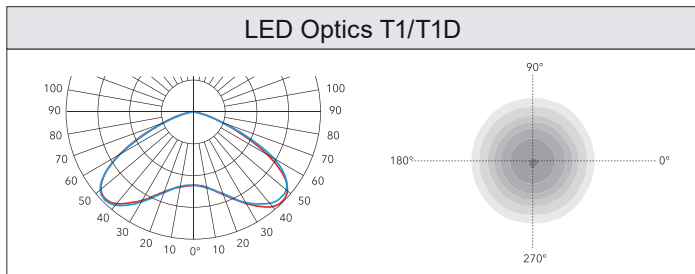


A modern and efficient post top luminaire that is ideal for pedestrian areas, courtyards and pathways and available in two outputs. An optional diffuser accessory is also available.

- Die-cast aluminium housing with super white tempered glass and polycarbonate reflector.
- Optical lens offering visual comfort and uniform light distribution.
- High quality LED chips and DALI driver as standard, with in-built surge protection up to 20KV.
- Suitable for pole mounting on Ø60mm poles.
- UV protected pure polyester powder coated housing offering high corrosion resistance.
- Suitable for use with a range of controls and remote management systems.
- All external screws are 304 stainless steel as standard.
- RAL9007, other RAL colours available on request.



## Optics



## Product Specification

CODE	OPTIC	LED Qty	CCT	LUMENS	CRI	POWER	IP	IK	WEIGHT
SOR-T-40	T1	32	4000	6270	>70	40W	IP66	IK08	10
SOR-T-60	T1	32	4000	9100	>70	60W	IP66	IK08	10
SOR-T-DIF	--	--	--	--	--	--	--	--	--

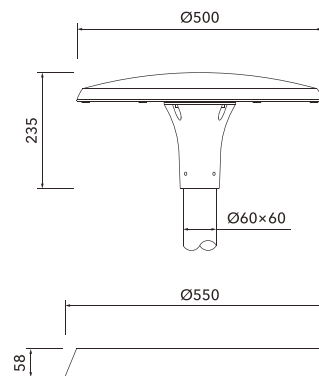
**General Specification**

Input voltage	220-240V
Input frequency	50/60Hz
Surge protection	20KV
LED Chips	Philips 5050
Lifetime	L70 100,000hours   L80 70,000 hours   L90 34,000 hours
SDCM	SDCM<6
Class	Class I
Ambient temperature	-20°C to +50°C
Material	High pressure die-cast aluminium housing with tempered glass
Finish	Polyester powder coat cured under heat
RAL colour	RAL9007

**Driver Details**

Product	SOR-T-40	SOR-T-60
Driver	Tridonic	
Dimming control	DALI	
Driver current	800mA	580mA
Inrush current	24.88A, 236µs	32A, 355µs
Power factor	0.97	0.97

**Dimensions**



SOR-T

SOR-T-DIF