

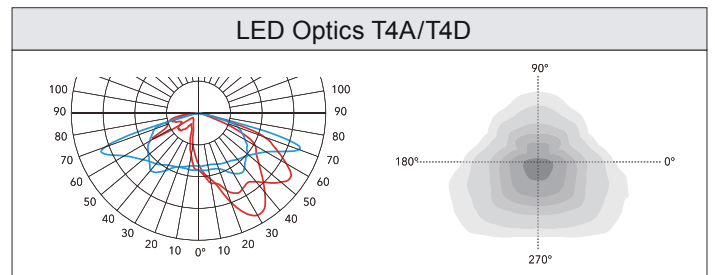
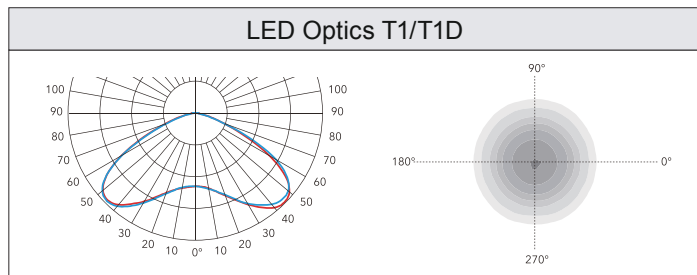


A modern and stylish take on a pedestrian style luminaire which is available in three outputs. Ideal for use in open areas, parks, courtyards and walkways.

- Die-cast aluminium housing with super white tempered glass and polycarbonate reflector.
- Three outputs with a high quality lens to ensure a comfortable lighting effect and good light distribution.
- High quality LED chips and driver, with in-built surge protection up to 10KV.
- UV protected pure polyester powder coated housing offering high corrosion resistance.
- Suitable for use with a range of controls and remote management systems.
- All external screws are 304 stainless steel as standard.
- RAL9007, other RAL colours available on request.



Optics



Product Specification

CODE	OPTIC	LED Qty	CCT	LUMENS	CRI	POWER	IP	IK	WEIGHT
DAN-30	T4A	12	3000/4000	2700/3000	>70	30W	IP66	IK08	8.5
DAN-40	T1D	18	3000/4000	4080/4400	>70	40W	IP66	IK08	8.5
DAN-60	T1D	18	3000/4000	5770/6300	>70	60W	IP66	IK08	8.5

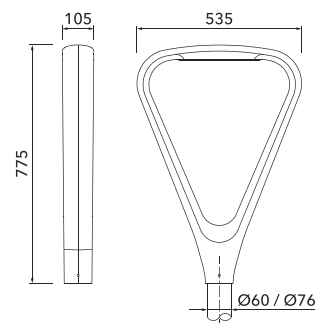
General Specification

Input voltage	220-240V
Input frequency	50/60Hz
Surge protection	10KV
LED Chips	Philips 5050
Lifetime	L70 100,000hours L80 70,000 hours L90 34,000 hours
SDCM	SDCM<6
Class	Class I
Ambient temperature	-20°C to +50°C
Material	High pressure die-cast aluminium housing with tempered glass
Finish	Polyester powder coat cured under heat
RAL colour	RAL9007

Driver Details

Product	DAN-30	DAN-40	DAN-60
Driver	PHILIPS LP		
Dimming control	1-10V		
Driver current	780mA	680mA	1030mA
Inrush current	48.7A, 110µs	48.7A, 110µs	35A, 210µs
Power factor	0.95	0.95	0.95

Dimensions



DAN