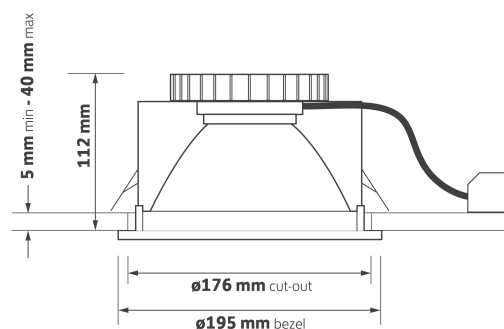




Specification	
Power:	17.5W
Voltage:	AC 220-240V
Work Temperature:	-25°C ~35°C
Color Temperature:	2700K - 6500K
CRI:	90
Weight:	1.8kg
IP Rate:	IP20
Warranty:	5 Years



## KEY FEATURES

- Professional LED Downlight
- Tridonic Advance LED and driver combination
- Part L and ECA compliant efficiencies
- Low glare <UGR19 for LG7 compliance
- Lumen maintenance L80 / F10 @ 50,000 hours
- 60° satin etch reflector as standard
- Tunable white version, HCL variant
- 5 year warranty

Ordering Information				
Model No	Lumens	Power	Colour	Colour Temperature
AL-6220-TUNEABLE	1725	17.5W	927 - 965	2700K - 6500K